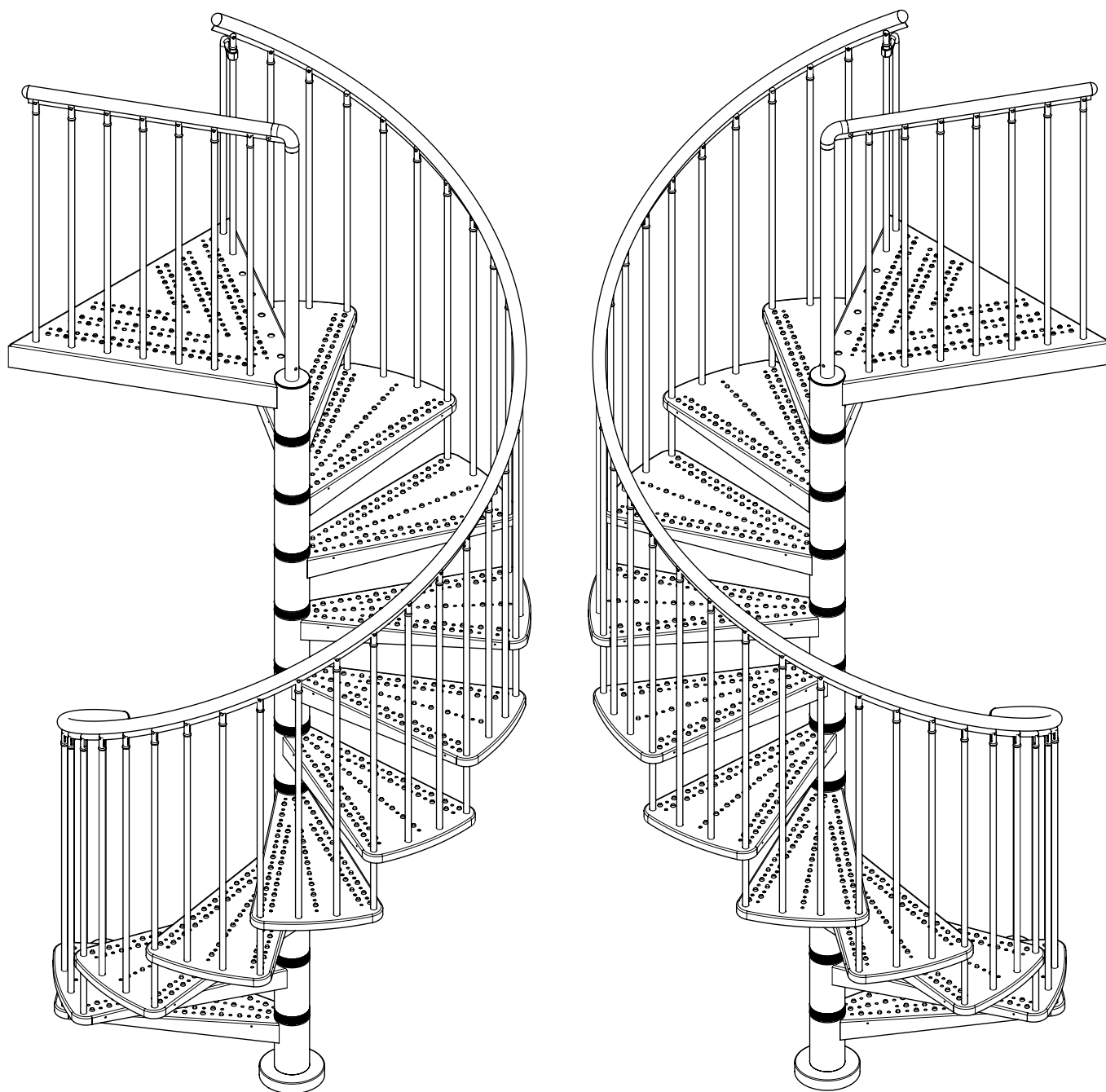





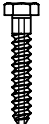












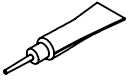
TORONTO / INDUSTRIA V3

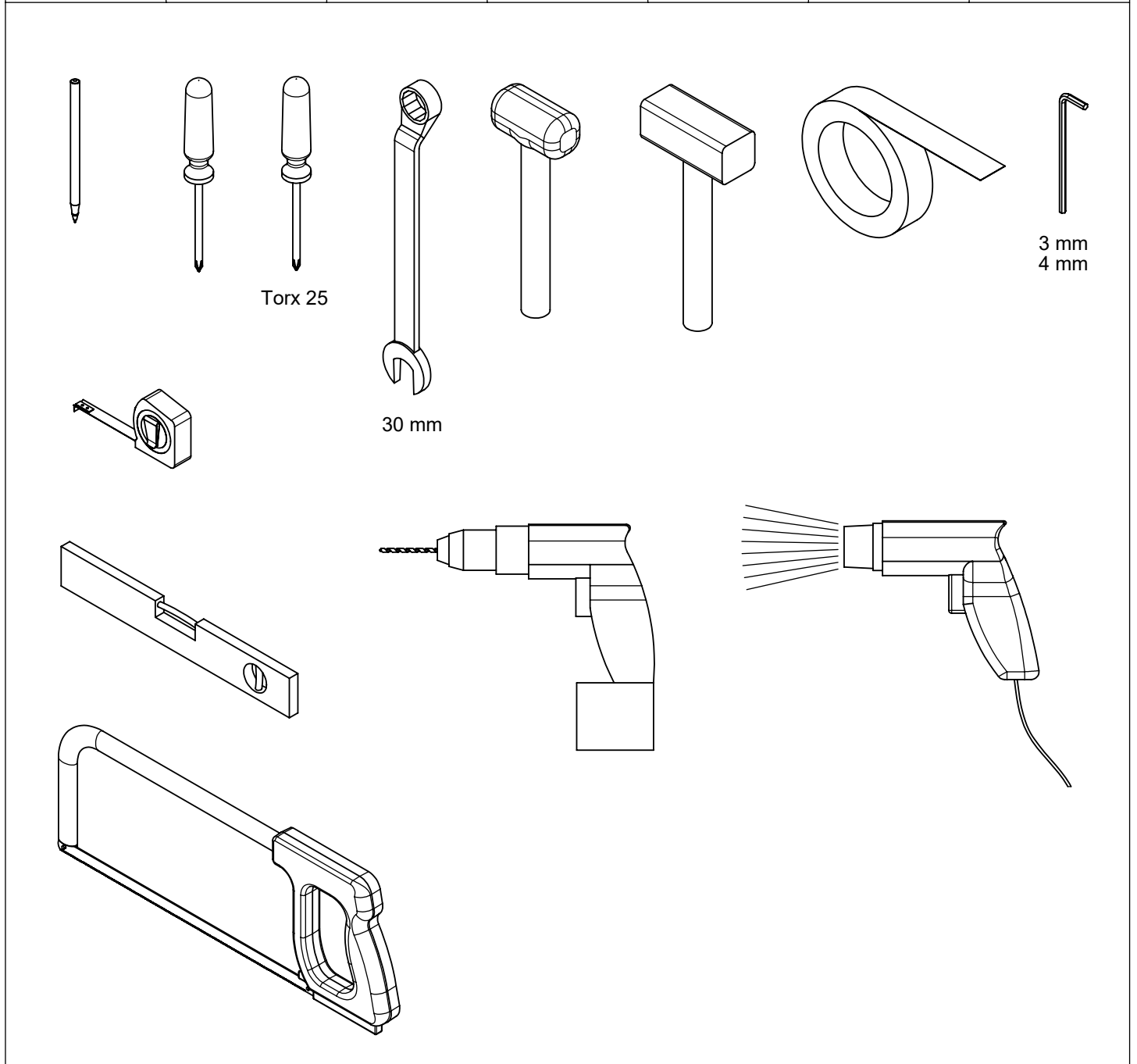
Ø 155 cm

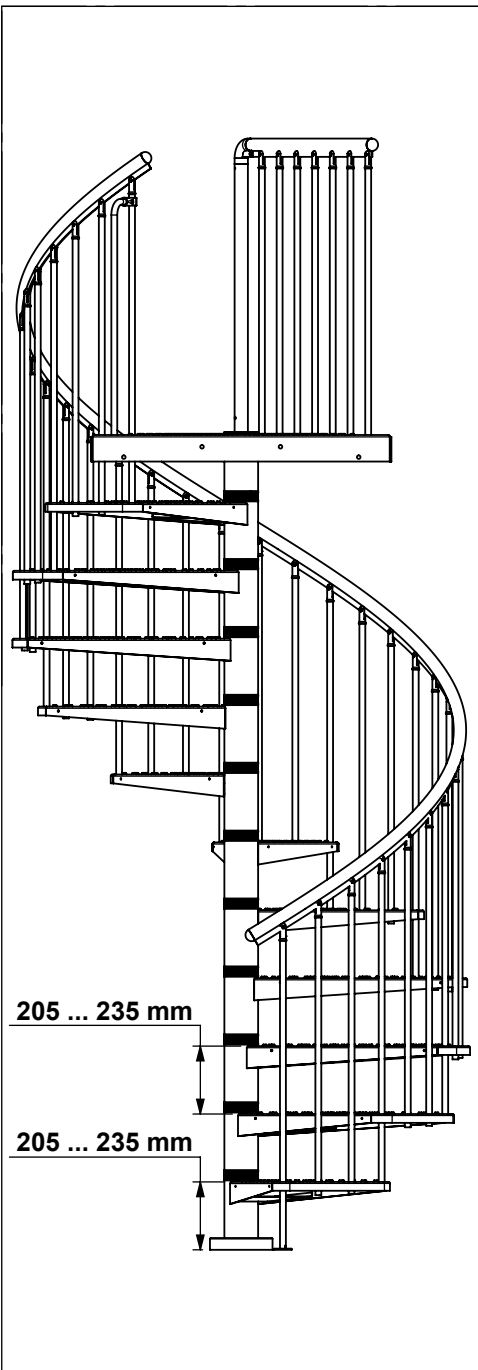
Notice de montage
Installation instruction



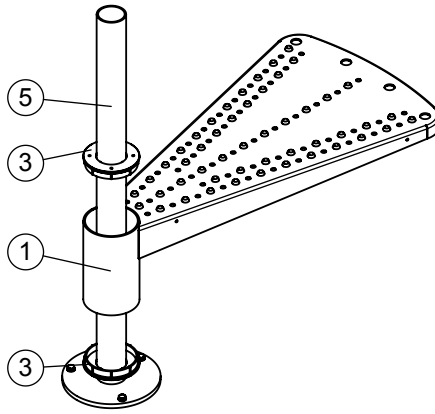
<p>1</p> <p>× 11 K2-39064</p>	<p>2</p> <p>× 1 K2-39155</p>	<p>3</p> <p>× 23 K1-39221</p>						
<p>5</p> <p>× 1 K2-39001</p>	<p>6</p> <p>× 1 K1-39002</p>	<p>7</p> <p>× 1 K3-07023</p>	<p>8</p> <p>1075</p> <p>× 11 K1-39078</p>	<p>9</p> <p>1042</p> <p>× 1 K1-39075</p>	<p>10a</p> <p>940</p> <p>× 11 K1-39081</p>	<p>10b</p> <p>1010</p> <p>× 11 K1-39082</p>	<p>11</p> <p>931</p> <p>× 7 K1-39085</p>	<p>12</p> <p>× 1 K2-39090</p>
<p>13</p> <p>× 1 K1-39089</p>	<p>14</p> <p>× 1 K1-39004</p>	<p>15</p> <p>× 1 K1-39096</p>	<p>16</p> <p>× 4 K1-39070</p>	<p>17</p> <p>× 1 K1-39019</p>	<p>18</p> <p>× 1 K1-19340</p>	<p>19</p> <p>× 41 K1-38591</p>		
<p>20</p> <p>× 1 K1-30220</p>	<p>21</p> <p>× 3 K1-38590</p>	<p>23</p> <p>× 3 K2-39195</p>	<p>24</p> <p>× 1 K1-38519</p>					
<p>25</p> <p>× 1 K1-39210</p>	<p>26</p> <p>× 1 K1-38538</p>							

<p>27</p>  <p>× 1 K1-39214</p>	<p>28</p>  <p>× 2 K2-39010</p>	<p>33</p>  <p>× 5 K1-39030</p>				
<p>50</p>  <p>× 7 K3-06070 Ø10 x 60</p>	<p>51</p>  <p>× 7 K3-04040 Ø10</p>	<p>52</p>  <p>× 7 K3-08001 Ø12 x 60</p>	<p>53</p>  <p>× 2 K3-05021 M8 x 10</p>	<p>54</p>  <p>× 2 K3-03054 M20</p>	<p>55</p>  <p>× 2 K3-04021 Ø20</p>	<p>56</p>  <p>× 118 K3-05055 M6 x 5</p>
<p>57</p>  <p>× 9 K3-08002 Ø8 x 40</p>	<p>58</p>  <p>× 9 K3-06007 Ø6 x 35</p>	<p>59</p>  <p>× 42 K3-03050 M5</p>	<p>60</p>  <p>× 42 K3-01201 M5 x 14</p>	<p>61</p>  <p>× 1 K3-02089 M8 x 100</p>	<p>69</p>  <p>× 1 R1-63272 Ø6 x 25</p>	<p>70</p>  <p>× 1 K3-90001</p>

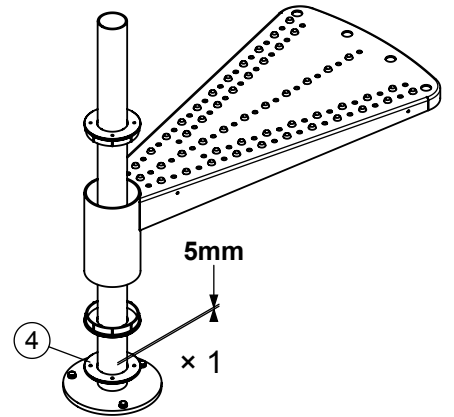




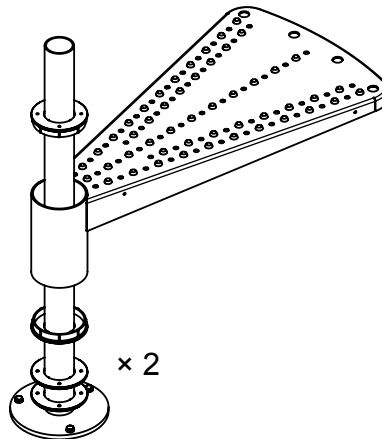
205 mm



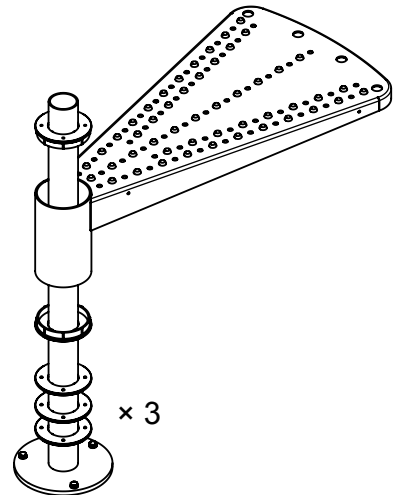
210 mm



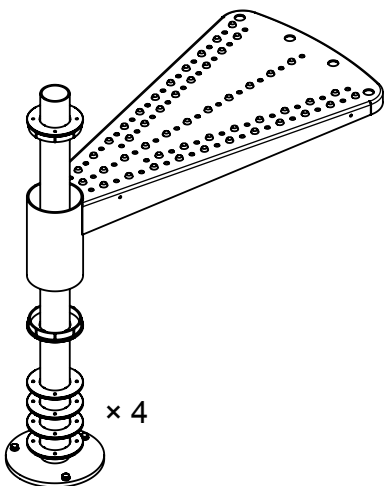
215 mm



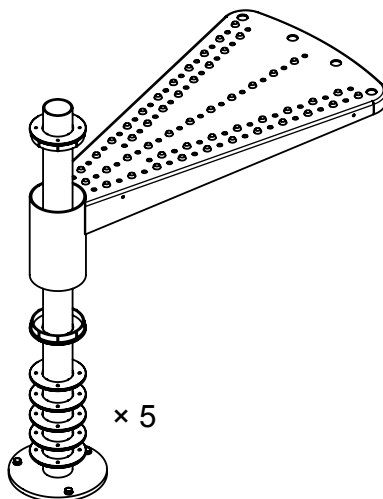
220 mm



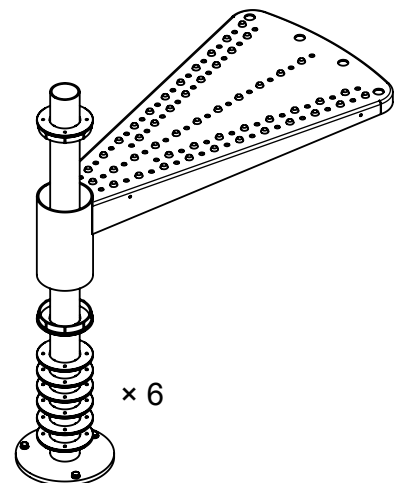
225 mm



230 mm



235 mm

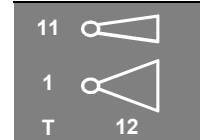


N
0...6 st (pcs)

4

P
+ 1 st (pcs)

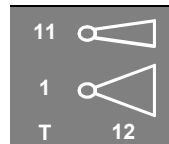
P
+ 1 st (pcs)



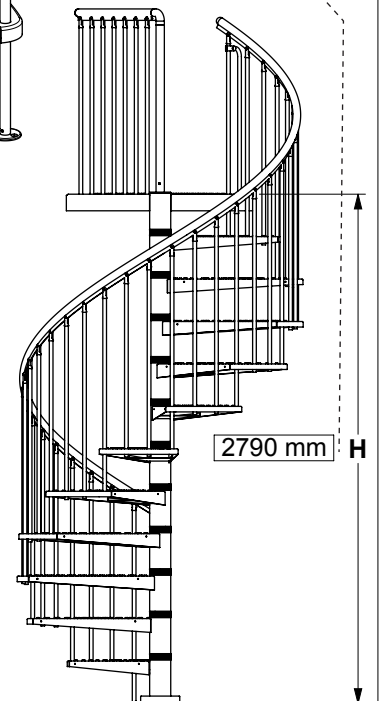
	ψ	T
2785	5	5
2790	5	6
2795	5	7
2800	5	8

P
+ 6 st (pcs)

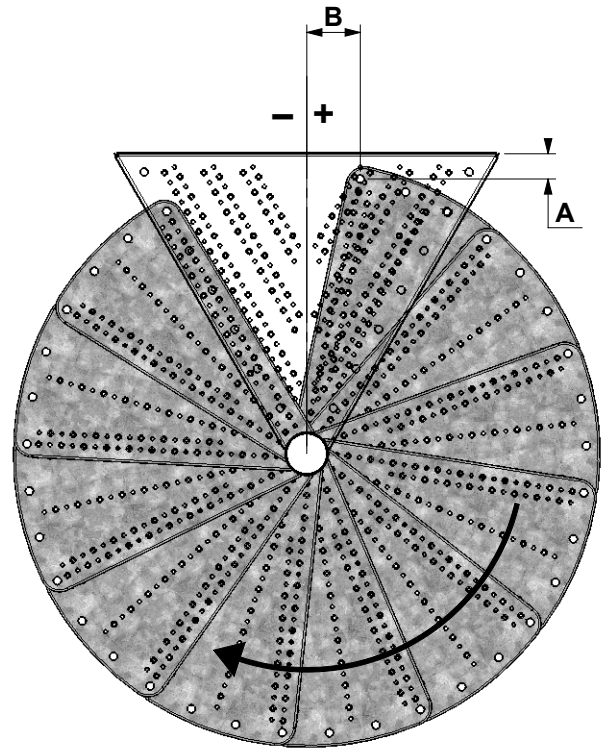
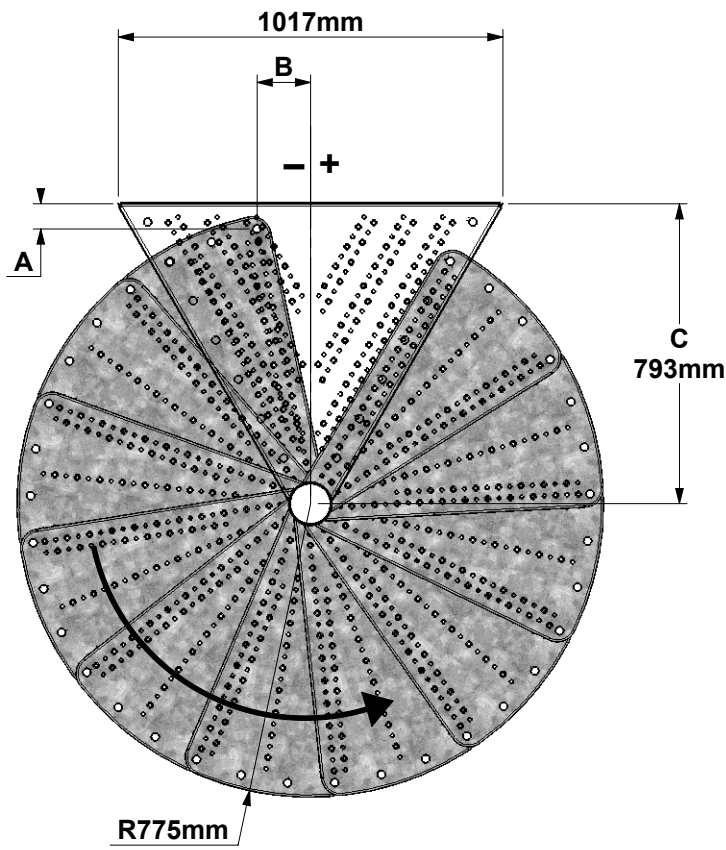
N × T
5 st (pcs) × 12
= 60 st (pcs)




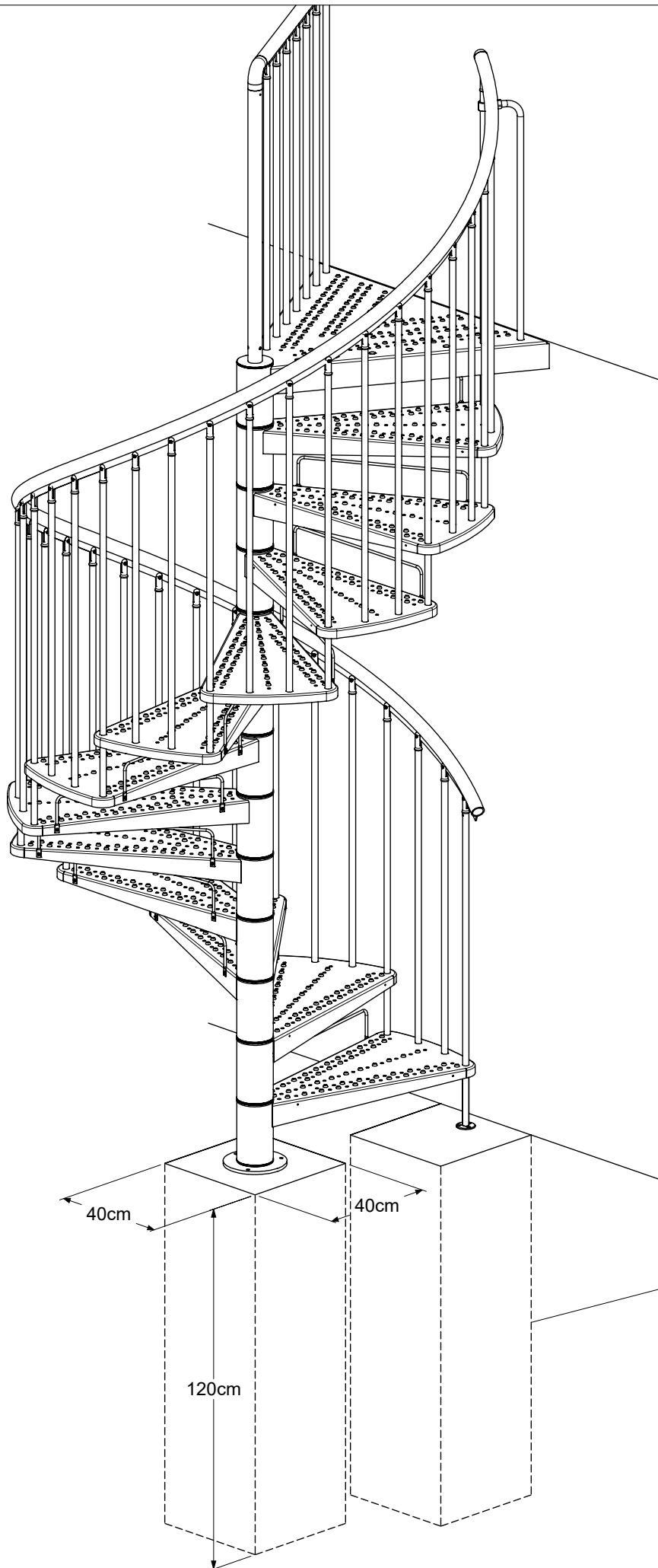
	ψ	T
2785	5	5
2790	5	6
2795	5	7
2800	5	8



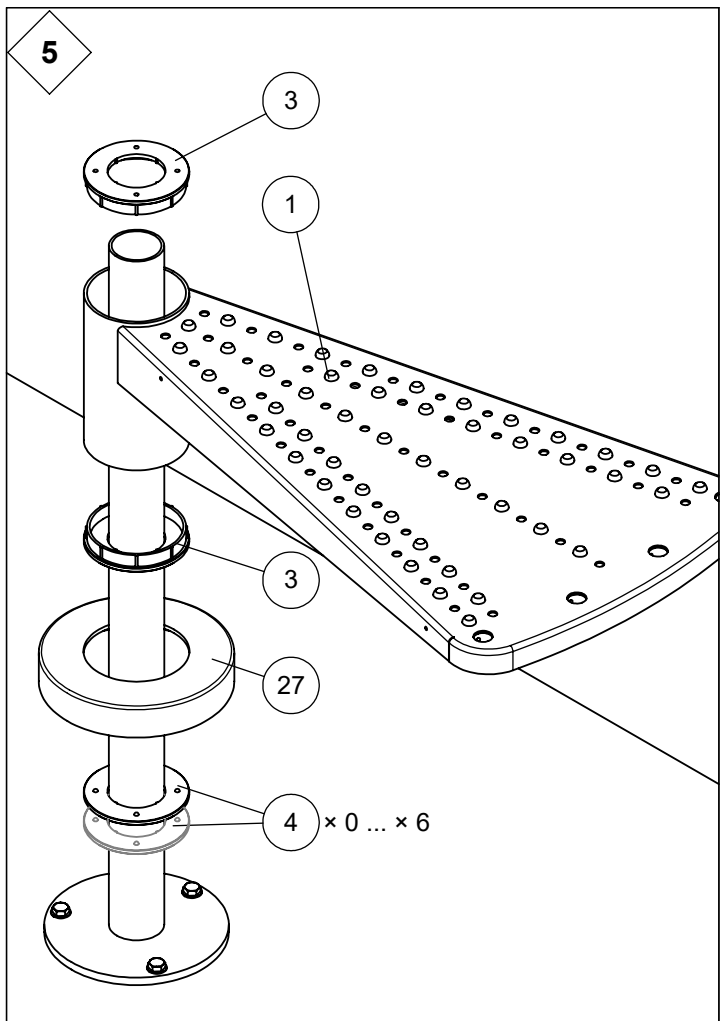
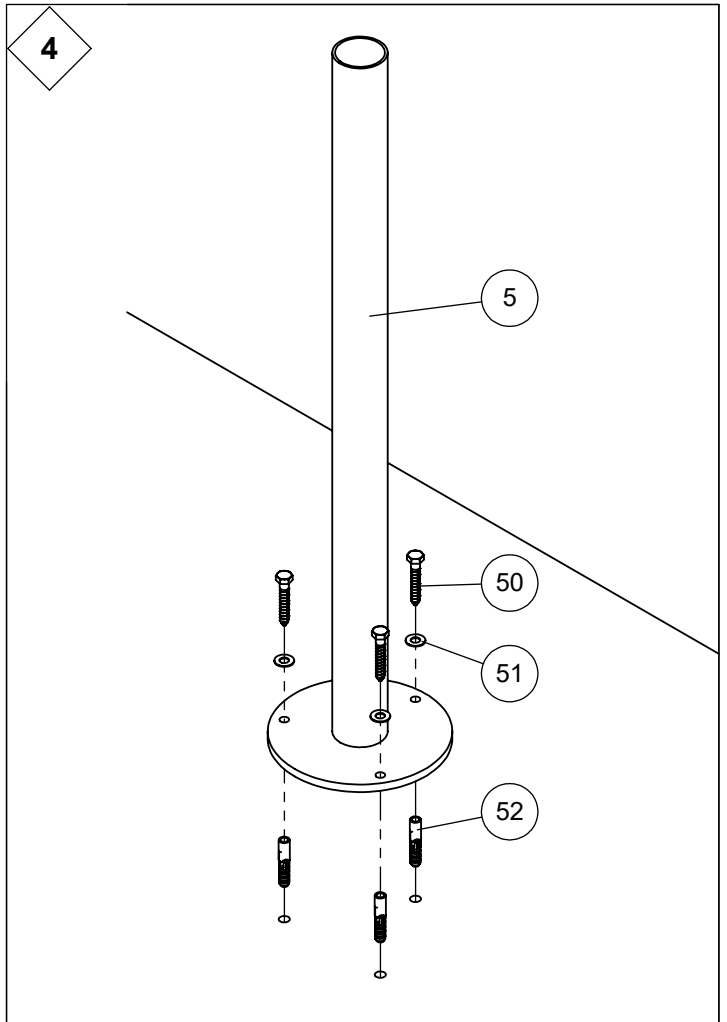
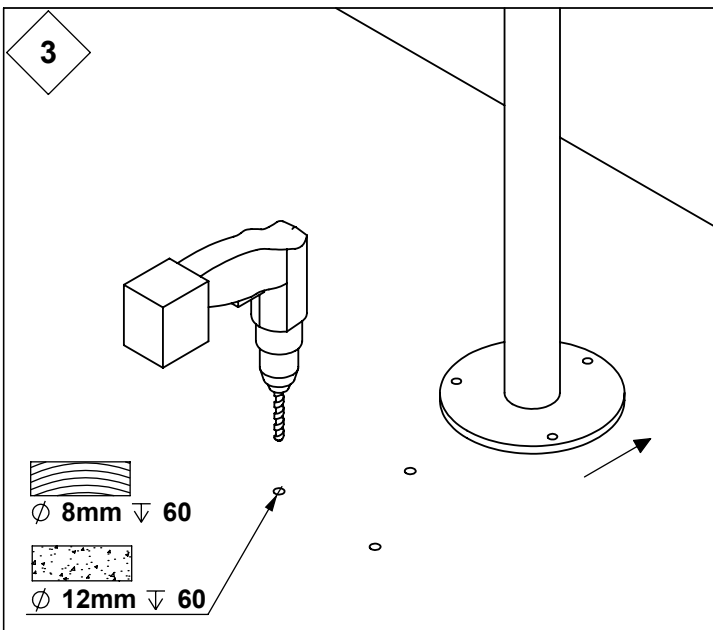
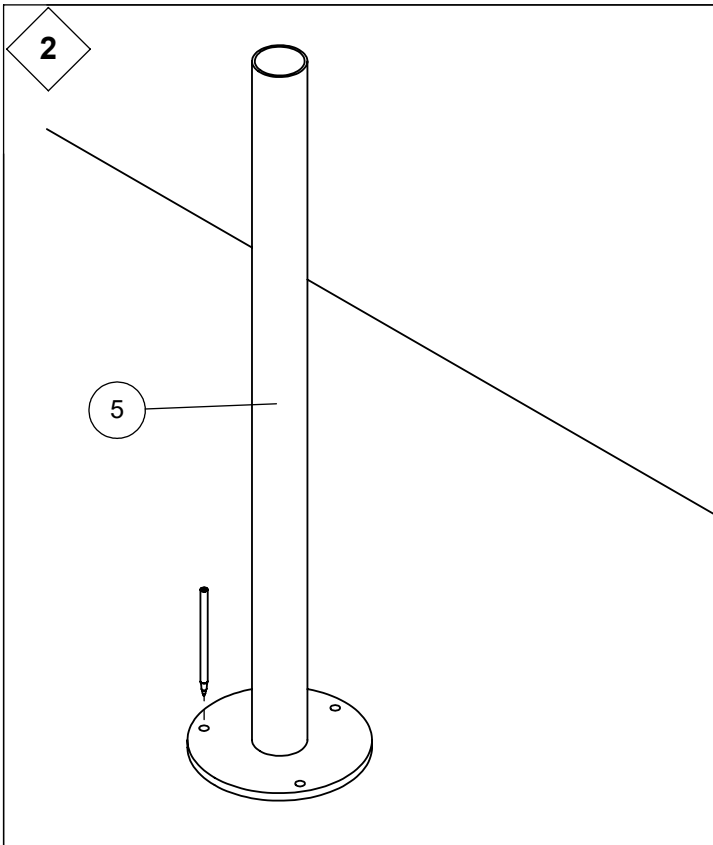
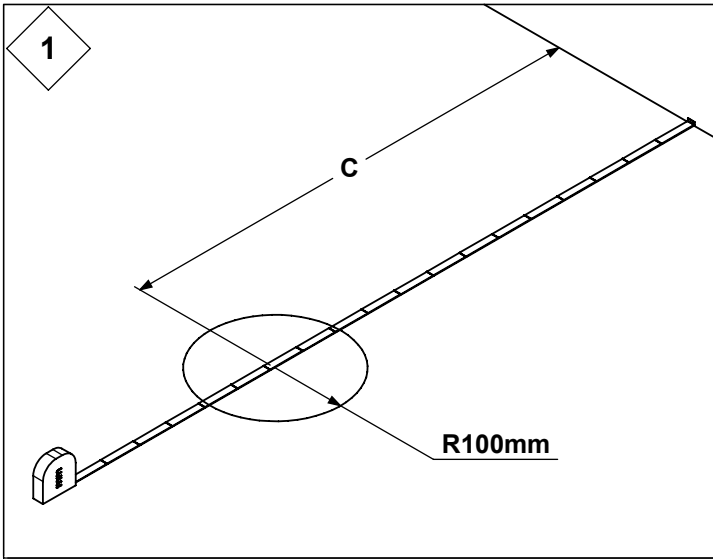
11			12			13			14			15			16																				
1			1			1			1			1			1																				
H	N	P	H	N	P	H	N	P	H	N	P	H	N	P	H	N	P	H	N	P															
mm	st	pcs	mm	st	pcs	mm	st	pcs	mm	st	pcs	mm	st	pcs	mm	st	pcs	mm	st	pcs	mm	st	pcs												
2460	0	0	2645	3	1	2665	0	0	2865	3	1	2870	0	0	3085	3	1	3075	0	0	3305	3	1	3280	0	0	3525	3	1	3485	0	0	3745	3	1
2465	0	1	2650	3	2	2670	0	1	2870	3	2	2875	0	1	3090	3	2	3080	0	1	3310	3	2	3285	0	1	3530	3	2	3490	0	1	3750	3	2
2470	0	2	2655	3	3	2675	0	2	2875	3	3	2880	0	2	3095	3	3	3085	0	2	3315	3	3	3290	0	2	3535	3	3	3495	0	2	3755	3	3
2475	0	3	2660	3	4	2680	0	3	2880	3	4	2885	0	3	3100	3	4	3090	0	3	3320	3	4	3295	0	3	3540	3	4	3500	0	3	3760	3	4
2480	0	4	2665	3	5	2685	0	4	2885	3	5	2890	0	4	3105	3	5	3095	0	4	3325	3	5	3300	0	4	3545	3	5	3505	0	4	3765	3	5
2485	0	5	2670	3	6	2690	0	5	2890	3	6	2895	0	5	3110	3	6	3100	0	5	3330	3	6	3305	0	5	3550	3	6	3510	0	5	3770	3	6
2490	0	6	2675	3	7	2695	0	6	2895	3	7	2900	0	6	3115	3	7	3105	0	6	3335	3	7	3310	0	6	3555	3	7	3515	0	6	3775	3	7
2495	0	7	2680	3	8	2700	0	7	2900	3	8	2905	0	7	3120	3	8	3110	0	7	3340	3	8	3315	0	7	3560	3	8	3520	0	7	3780	3	8
2500	0	8	2685	3	9	2705	0	8	2905	3	9	2910	0	8	3125	3	9	3115	0	8	3345	3	9	3320	0	8	3565	3	9	3525	0	8	3785	3	9
2505	0	9	2690	3	10	2710	0	9	2910	3	10	2915	0	9	3130	3	10	3120	0	9	3350	3	10	3325	0	9	3570	3	10	3530	0	9	3790	3	10
2510	0	10	2695	3	11	2715	0	10	2915	3	11	2920	0	10	3135	3	11	3125	0	10	3355	3	11	3330	0	10	3575	3	11	3535	0	10	3795	3	11
2515	0	11	2700	4	0	2720	0	11	2920	3	12	2925	0	11	3140	3	12	3130	0	11	3360	3	12	3335	0	11	3580	3	12	3540	0	11	3800	3	12
2520	1	0	2705	4	1	2725	0	12	2925	4	0	2930	0	12	3145	3	13	3135	0	12	3365	3	13	3340	0	12	3585	3	13	3545	0	12	3805	3	13
2525	1	1	2710	4	2	2730	1	0	2930	4	1	2935	0	13	3150	4	0	3140	0	13	3370	3	14	3345	0	13	3590	3	14	3550	0	13	3810	3	14
2530	1	2	2715	4	3	2735	1	1	2935	4	2	2940	1	0	3155	4	1	3145	0	14	3375	4	0	3350	0	14	3595	3	15	3555	0	14	3815	3	15
2535	1	3	2720	4	4	2740	1	2	2940	4	3	2945	1	1	3160	4	2	3150	1	0	3380	4	1	3355	0	15	3600	4	0	3560	0	15	3820	3	16
2540	1	4	2725	4	5	2745	1	3	2945	4	4	2950	1	2	3165	4	3	3155	1	1	3385	4	2	3360	1	0	3605	4	1	3565	0	16	3825	4	0
2545	1	5	2730	4	6	2750	1	4	2950	4	5	2955	1	3	3170	4	4	3160	1	2	3390	4	3	3365	1	1	3610	4	2	3570	1	0	3830	4	1
2550	1	6	2735	4	7	2755	1	5	2955	4	6	2960	1	4	3175	4	5	3165	1	3	3395	4	4	3370	1	2	3615	4	3	3575	1	1	3835	4	2
2555	1	7	2740	4	8	2760	1	6	2960	4	7	2965	1	5	3180	4	6	3170	1	4	3400	4	5	3375	1	3	3620	4	4	3580	1	2	3840	4	3
2560	1	8	2745	4	9	2765	1	7	2965	4	8	2970	1	6	3185	4	7	3175	1	5	3405	4	6	3380	1	4	3625	4	5	3585	1	3	3845	4	4
2565	1	9	2750	4	10	2770	1	8	2970	4	9	2975	1	7	3190	4	8	3180	1	6	3410	4	7	3385	1	5	3630	4	6	3590	1	4	3850	4	5
2570	1	10	2755	4	11	2775	1	9	2975	4	10	2980	1	8	3195	4	9	3185	1	7	3415	4	8	3390	1	6	3635	4	7	3595	1	5	3855	4	6
2575	1	11	2760	5	0	2780	1	10	2980	4	11	2985	1	9	3200	4	10	3190	1	8	3420	4	9	3395	1	7	3640	4	8	3600	1	6	3860	4	7
2580	2	0	2765	5	1	2785	1	11	2985	4	12	2990	1	10	3205	4	11	3195	1	9	3425	4	10	3400	1	8	3645	4	9	3605	1	7	3865	4	8
2585	2	1	2770	5	2	2790	1	12	2990	5	0	2995	1	11	3210	4	12	3200	1	10	3430	4	11	3405	1	9	3650	4	10	3610	1	8	3870	4	9
2590	2	2	2775	5	3	2795	2	0	2995	5	1	3000	1	12	3215	4	13	3205	1	11	3435	4	12	3410	1	10	3655	4	11	3615	1	9	3875	4	10
2595	2	3	2780	5	4	2800	2	1	3000	5	2	3005	1	13	3220	5	0	3210	1	12	3440	4	13	3415	1	11	3660	4	12	3620	1	10	3880	4	11
2600	2	4	2785	5	5	2805	2	2	3005	5	3	3010	2	0	3225	5	1	3215	1	13	3445	4	14	3420	1	12	3665	4	13	3625	1	11	3885	4	12
2605	2	5	2790	5	6	2810	2	3	3010	5	4	3015	2	1	3230	5	2	3220	1	14	3450	5	0	3425	1	13	3670	4	14	3630	1	12	3890	4	13
2610	2	6	2795	5	7	2815	2	4	3015	5	5	3020	2	2	3235	5	3	3225	2	0	3455	5	1	3430	1	14	3675	4	15	3635	1	13	3895	4	14
2615	2	7	2800	5	8	2820	2	5	3020	5	6	3025	2	3	3240	5	4	3230	2	1	3460	5	2	3435	1	15	3680	5	0	3640	1	14	3900	4	15
2620	2	8	2805	5	9	2825	2	6	3025	5	7	3030	2	4	3245	5	5	3235	2	2	3465	5	3	3440	2	0	3685	5	1	3645	1	15	3905	4	16
2625	2	9	2810	5	10	2830	2	7	3030	5	8	3035	2	5	3250	5	6	3240	2	3	3470	5	4	3445	2	1	3690	5	2	3650	1	16	3910	5	0
2630	2	10	2815	5	11	2835	2	8	3035	5	9	3040	2	6	3255	5	7	3245	2	4	3475	5	5	3450	2	2	3695	5	3	3655	2	0	3915	5	1
2635	2	11	2820	6	0	2840	2	9	3040	5	10	3045	2	7	3260	5	8	3250	2	5	3480	5	6	3455	2	3	3700	5	4	3660	2	1	3920	5	2
2640	3	0				2845	2	10	3045	5	11	3050	2	8	3265	5	9	3255	2	6	3485	5	7	3460	2	4	3705	5	5	3665	2	2	3925	5	3
						2850	2	11	3050	5	12	3055	2	9	3270	5	10	3260	2	7	3490	5	8	3465	2	5	3710	5	6	3670	2	3	3930	5	4
						2855	2	12	3055	6	0	3060	2	10	3275	5	11	3265	2	8	3495	5	9	3470	2	6	3715	5	7	3675	2	4	3935	5	5
						2860	3	0				3065	2	11	3280	5	12	3270	2	9	3500	5	10	3475	2	7	3720	5	8	3680	2	5	3940	5	6
												3070	2	12	3285	5	13	3275	2	10	3505	5	11	3480	2	8	3725	5	9	3685	2	6	3945	5	7
												3075	2	13	3290	6	0	3280	2	11	3510	5	12	3485	2	9	3730	5	10	3690	2	7	3950	5	8
												3080	3	0				3285	2	12	3515	5	13	3490	2	10	3735	5	11	3695	2	8	3955	5	9
																		3290	2	13	3520	5	14	3495	2	11	3740	5	12	3700	2	9	3960	5	10
																		3295	2	14	3525	6	0	3500	2	12	3745	5	13	3705	2	10	3965	5	11
																		3300	3	0				3505	2	13	3750	5	14	3710	2	11	3970	5	12
																					3510	2	14	3755	5	15	3715	2	12	3975	5	13			
																					3515	2	15	3760	6	0	3								

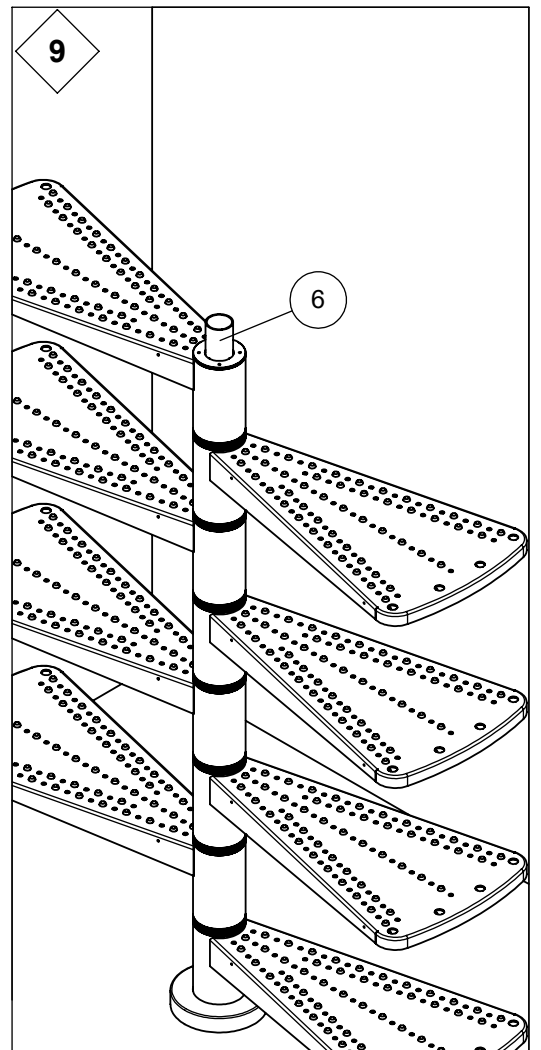
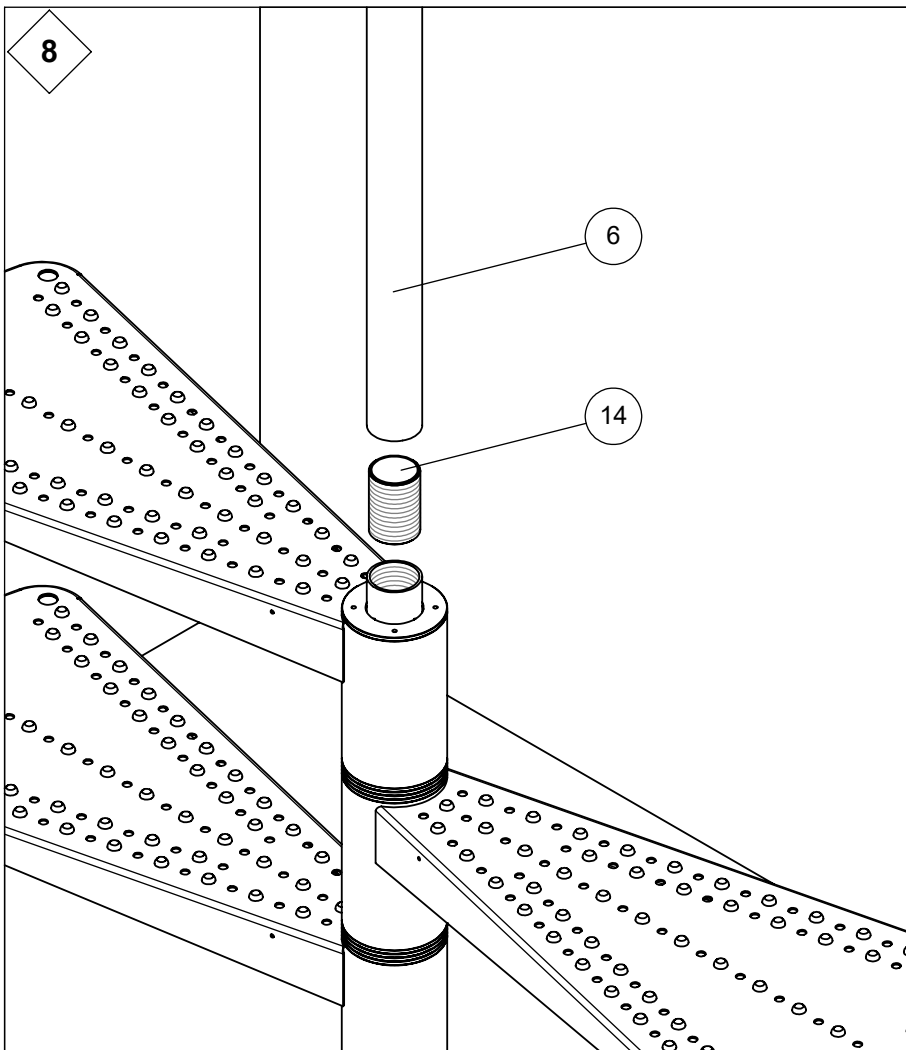
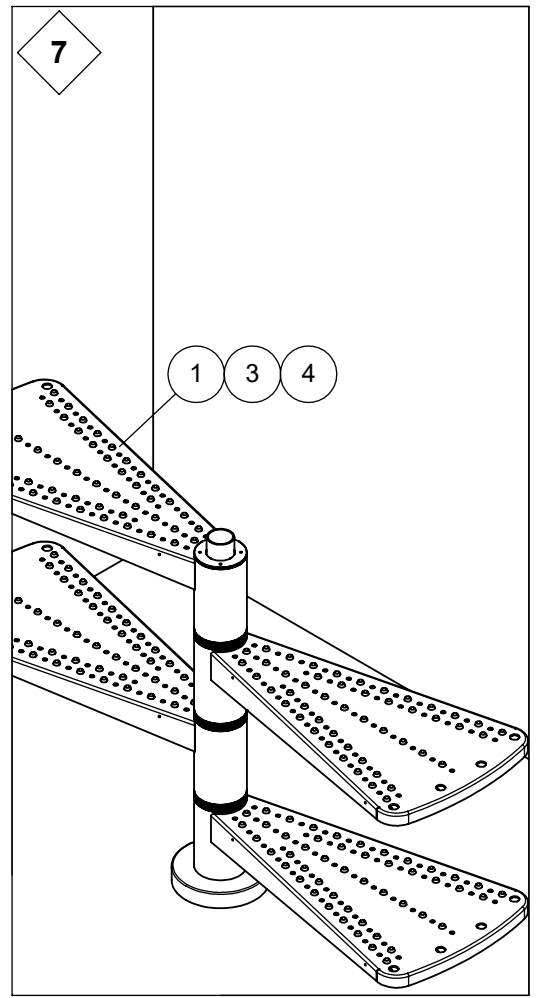
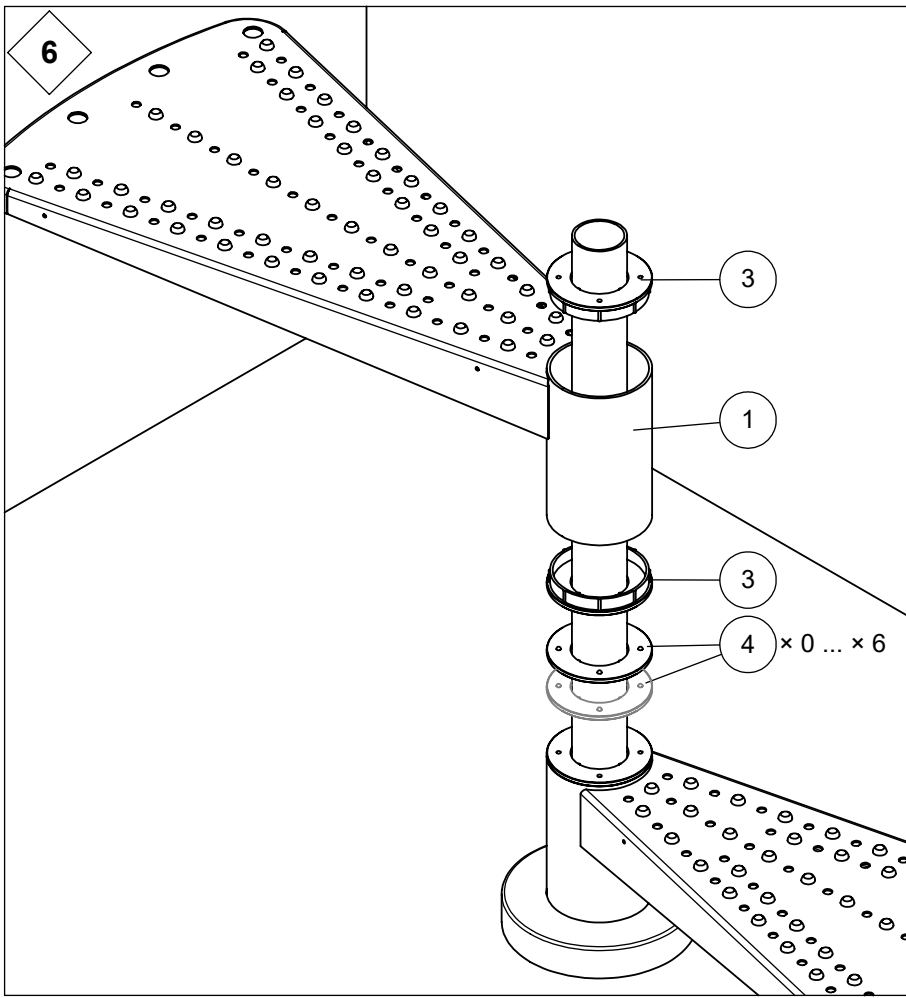


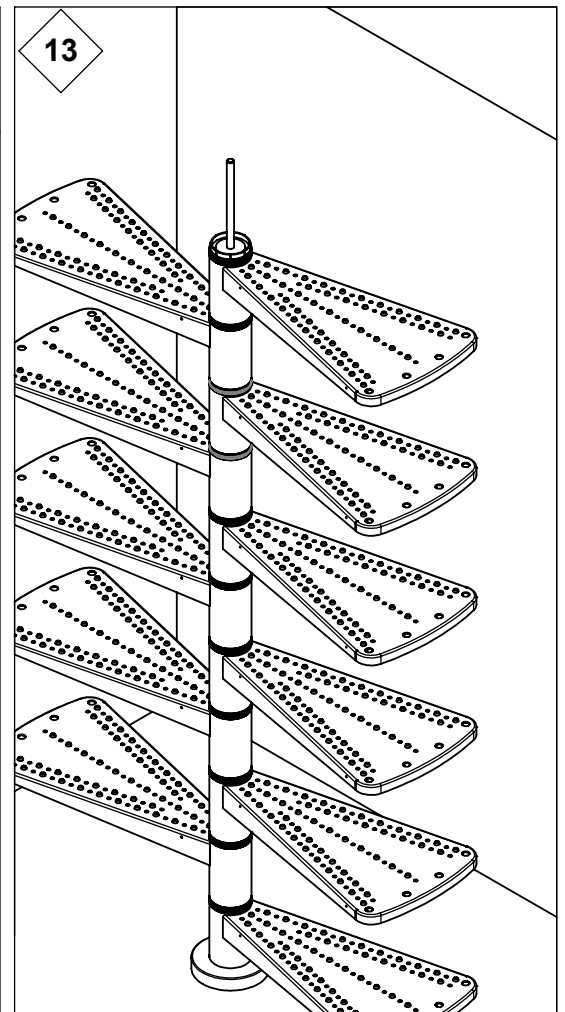
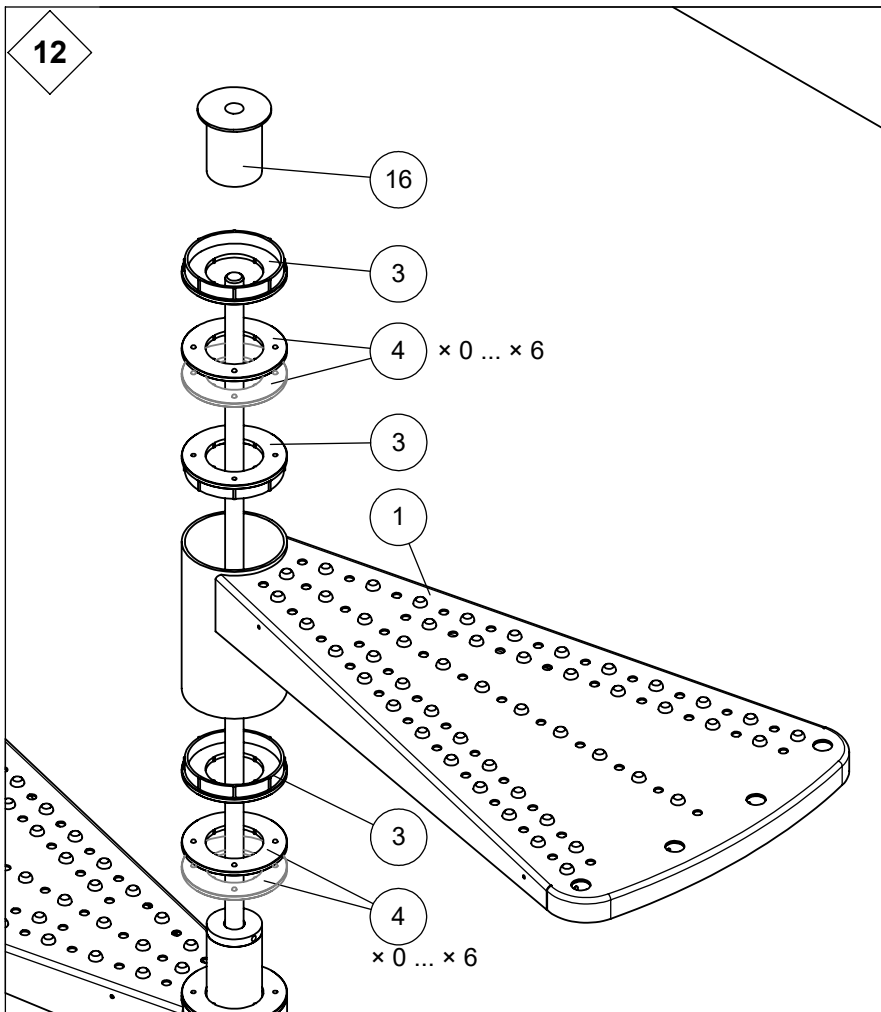
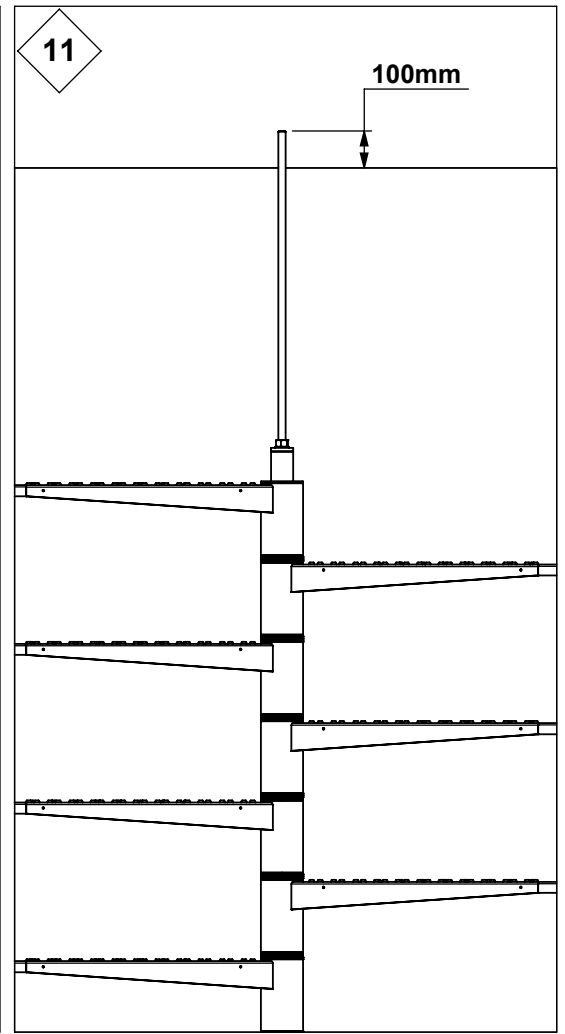
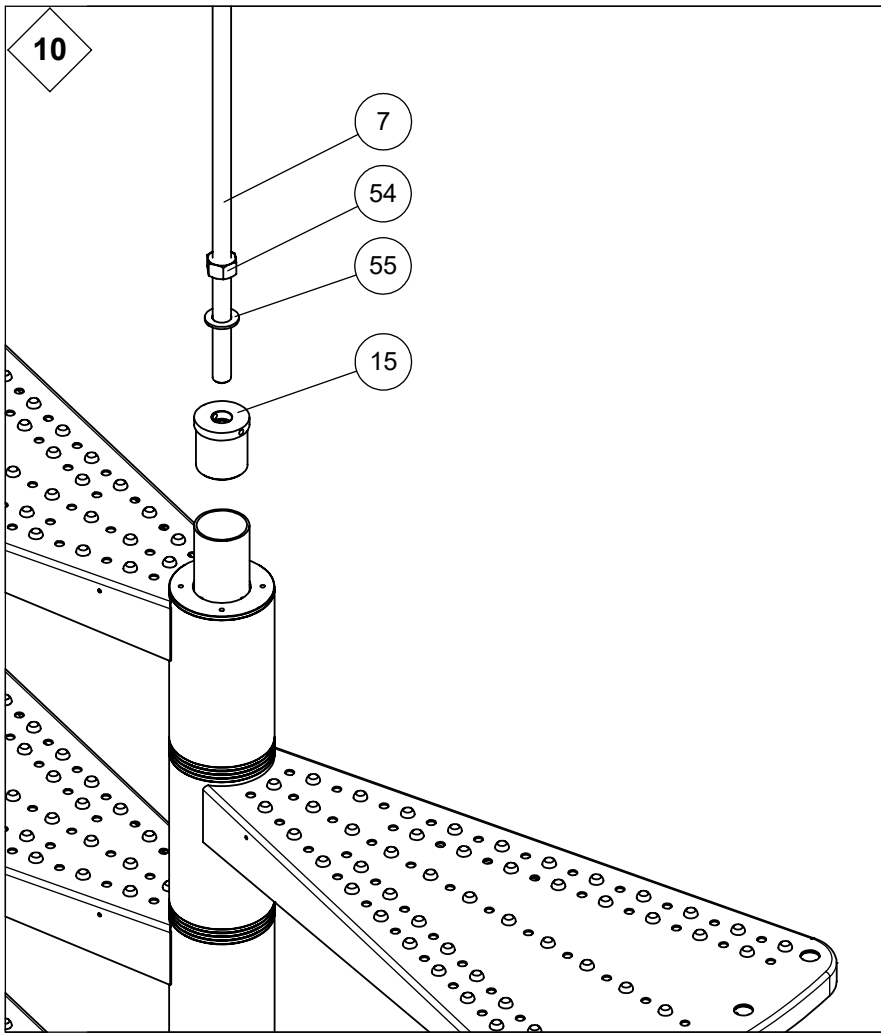
Ø 155 cm		
	A	B
	mm	mm
11	65	-141
12	87	228
13	286	541
14	612	718
15	982	715
16	1305	532

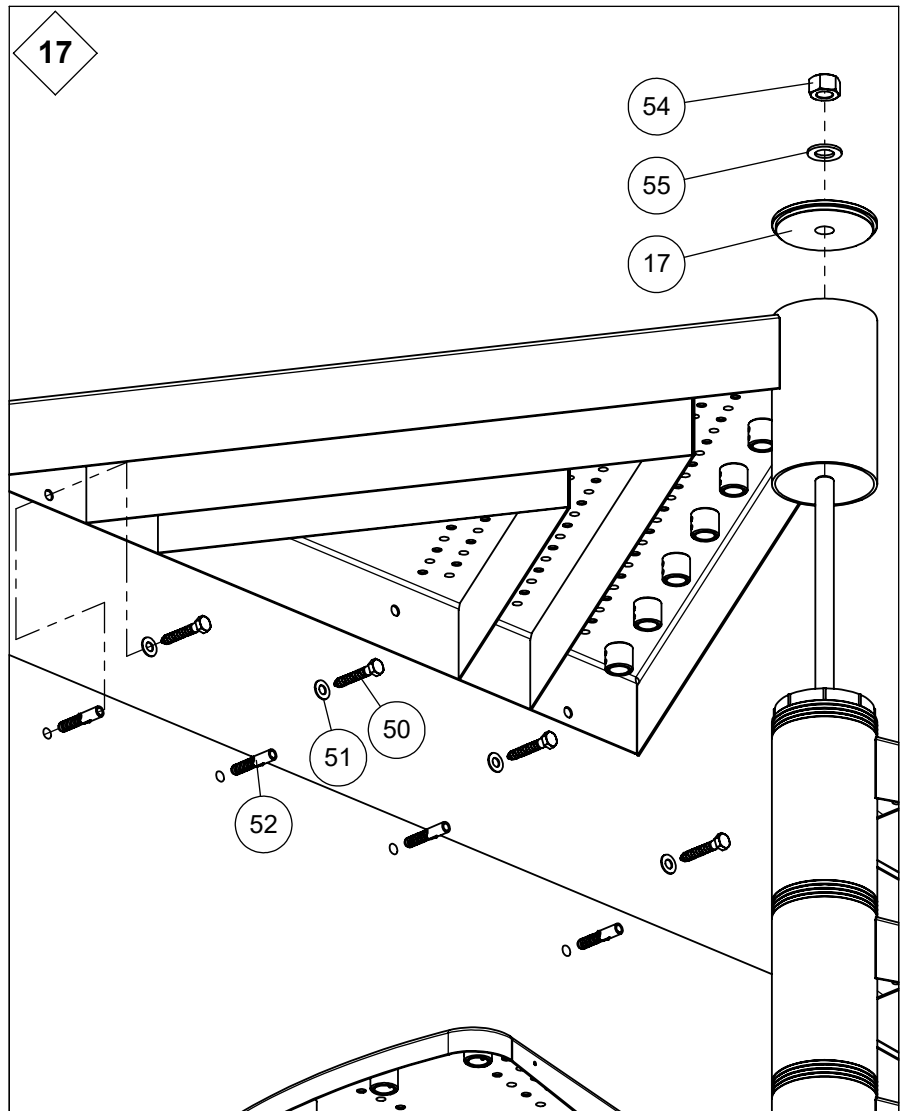
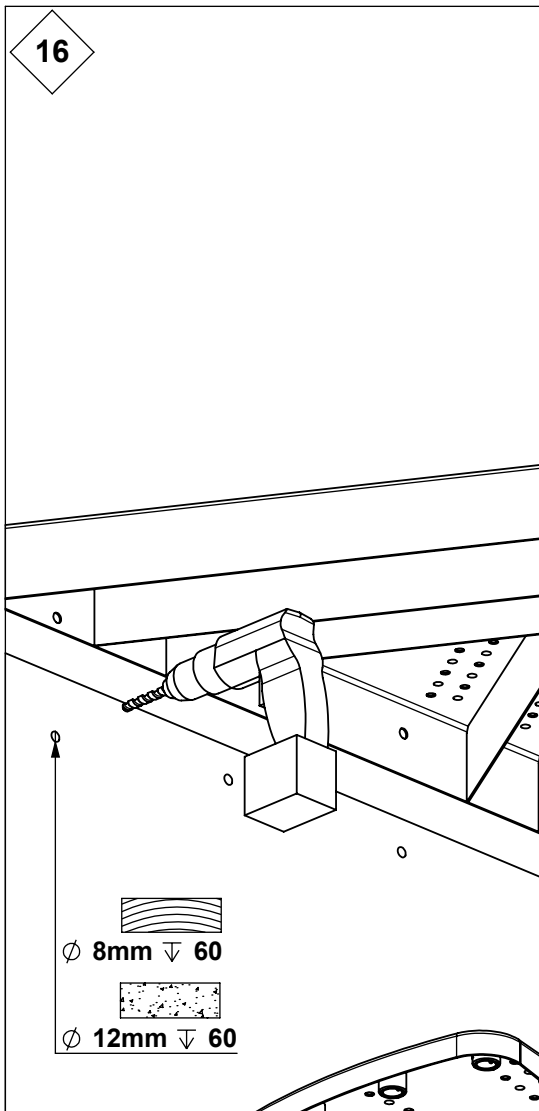
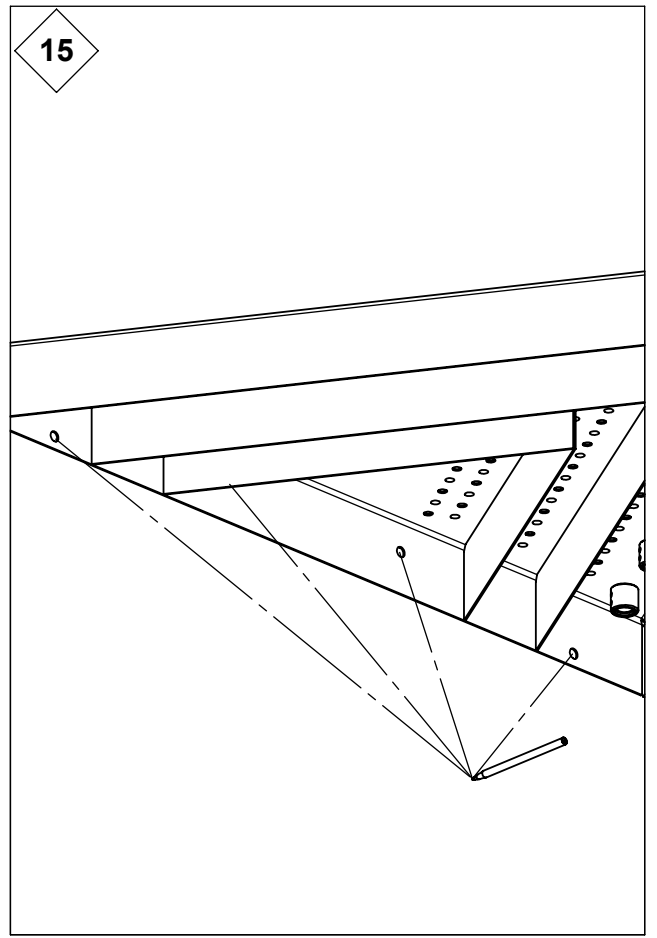
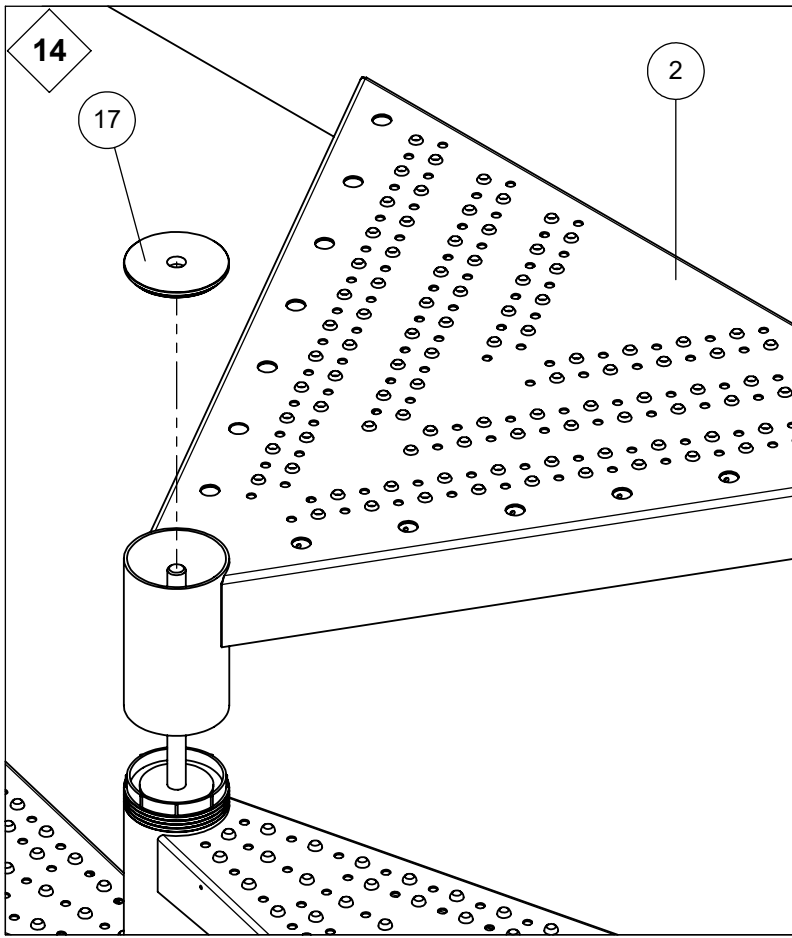


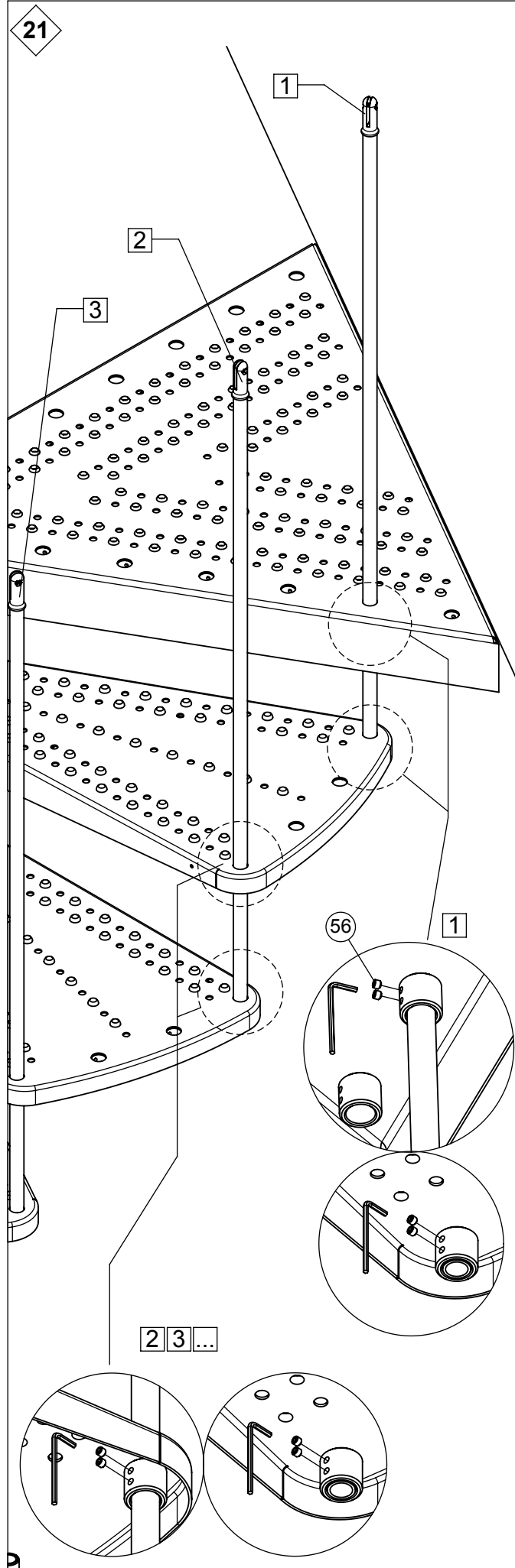
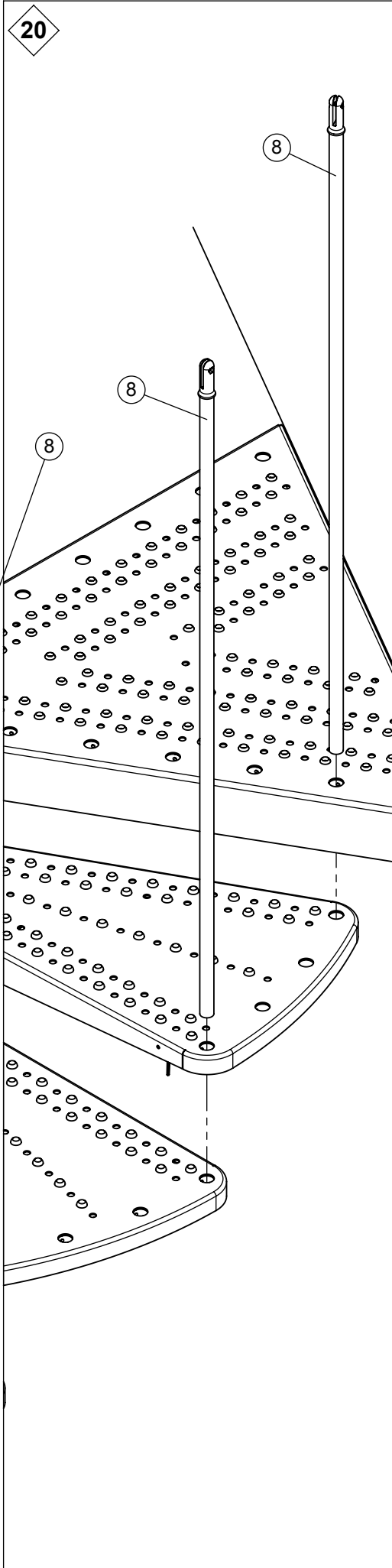
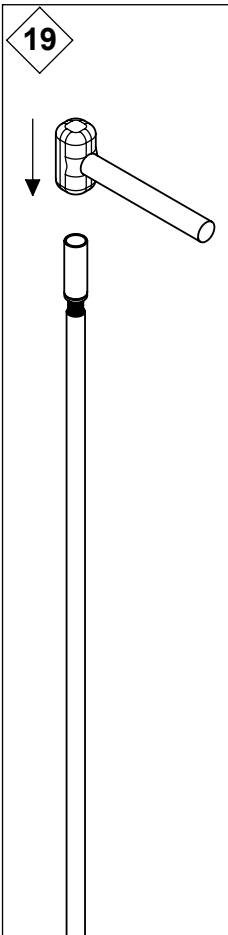
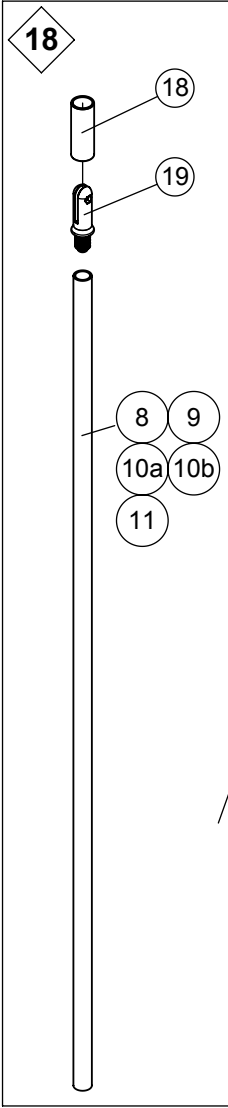
Concrete
Béton
Hormigón

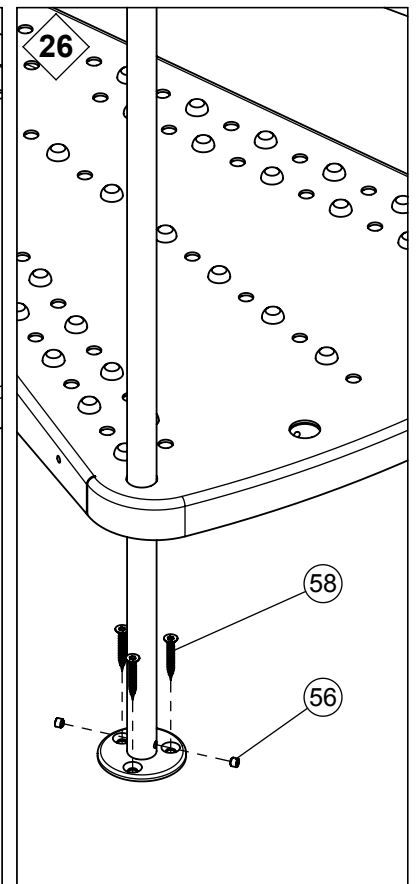
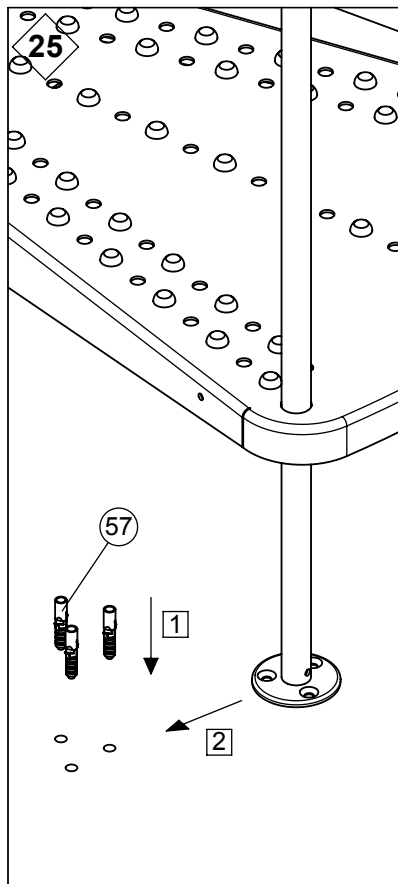
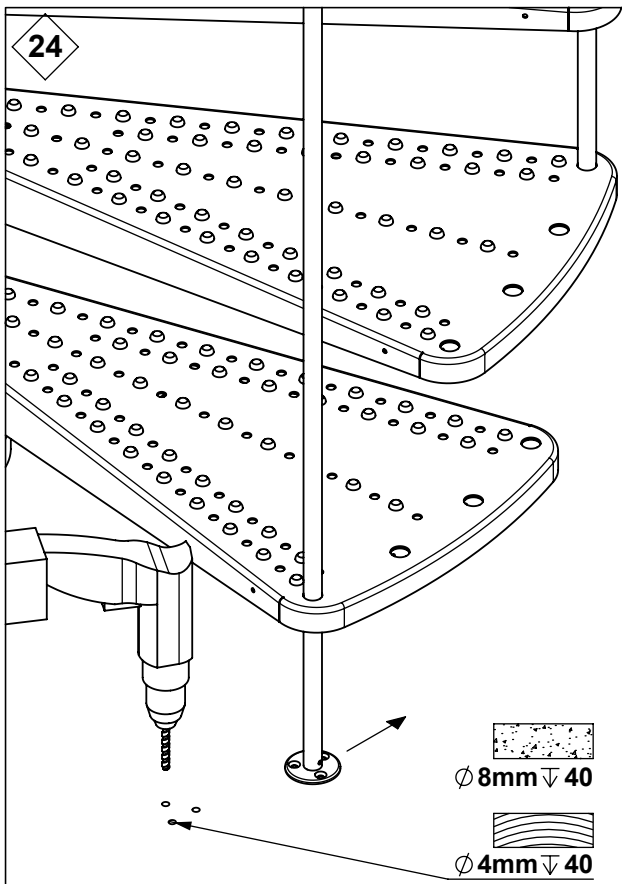
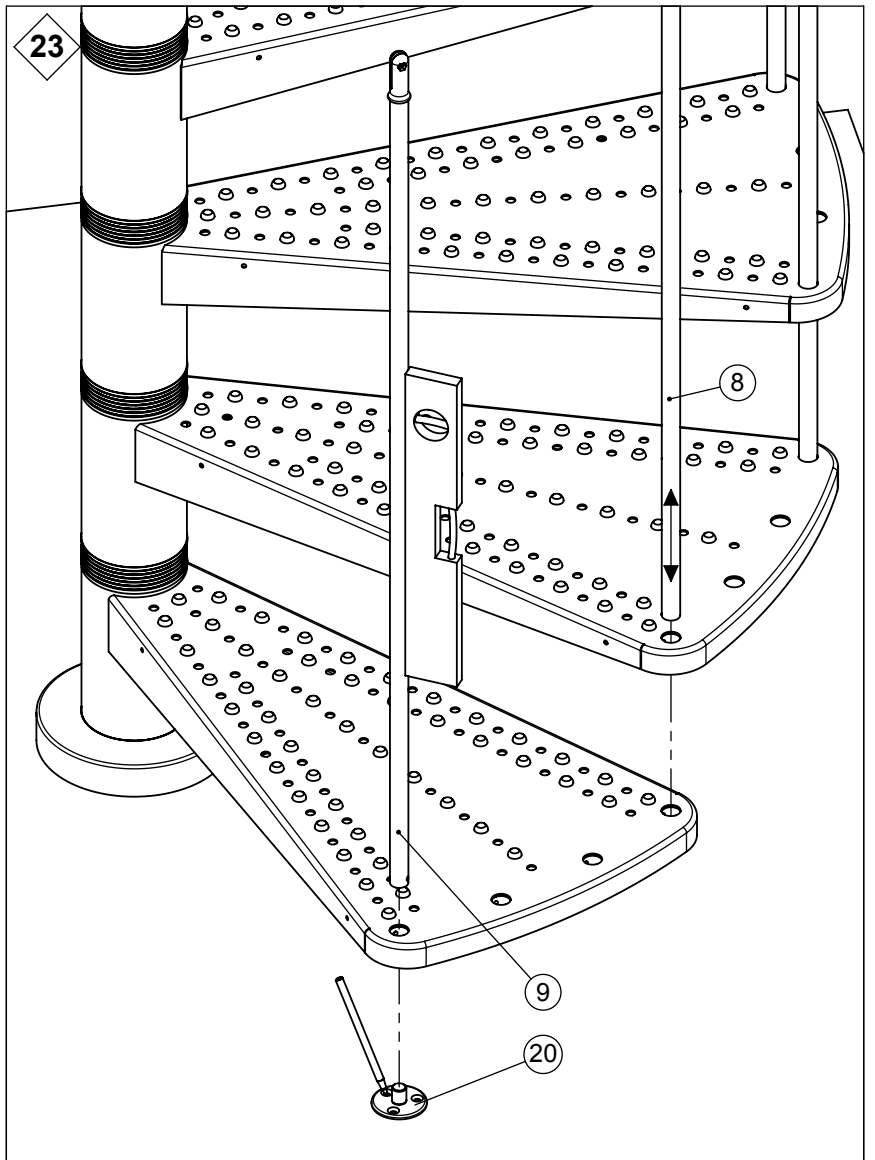
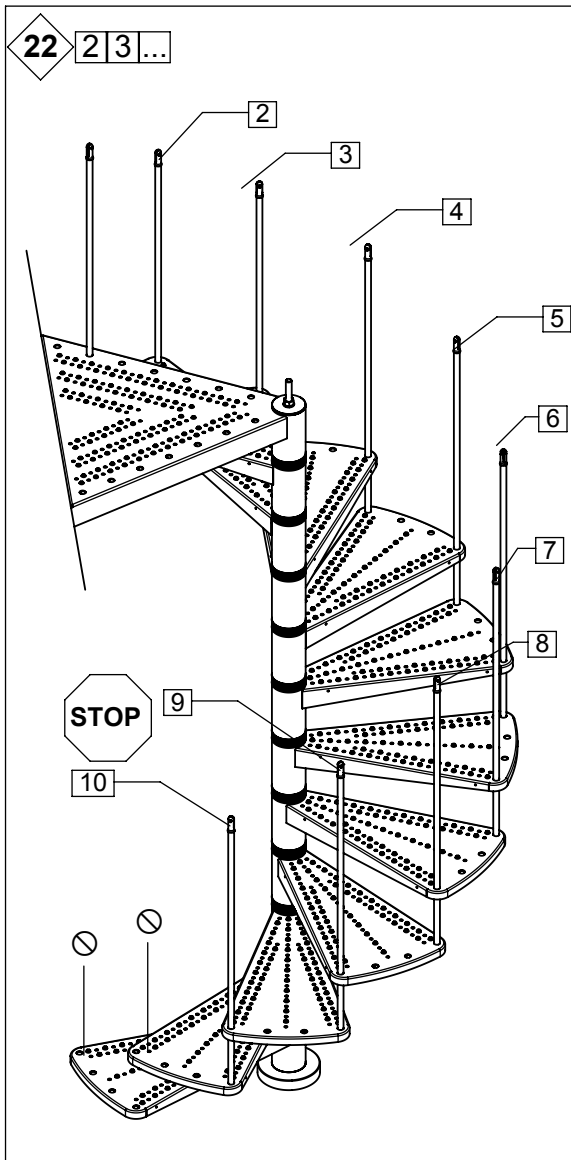


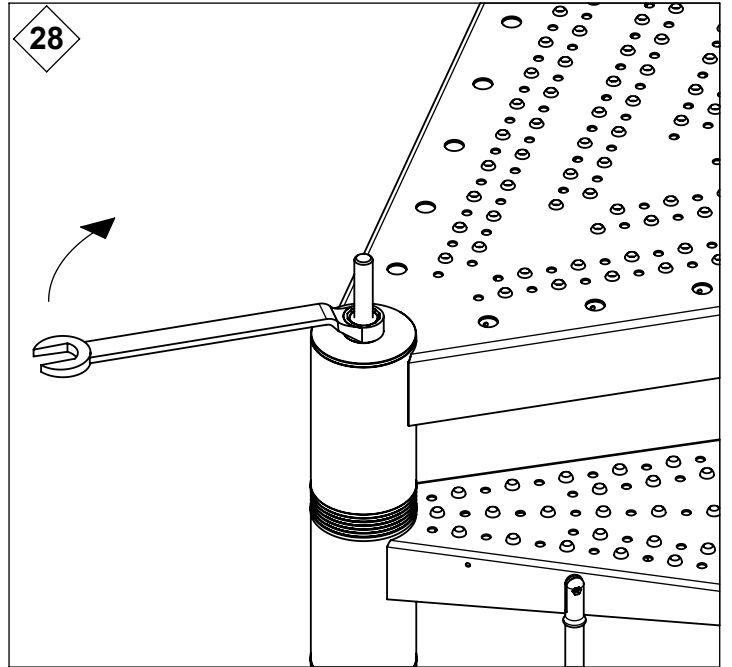
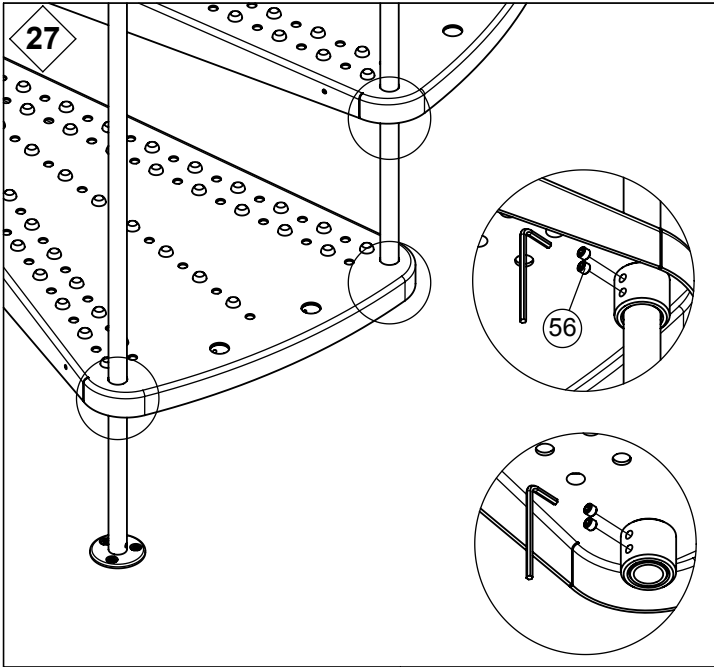


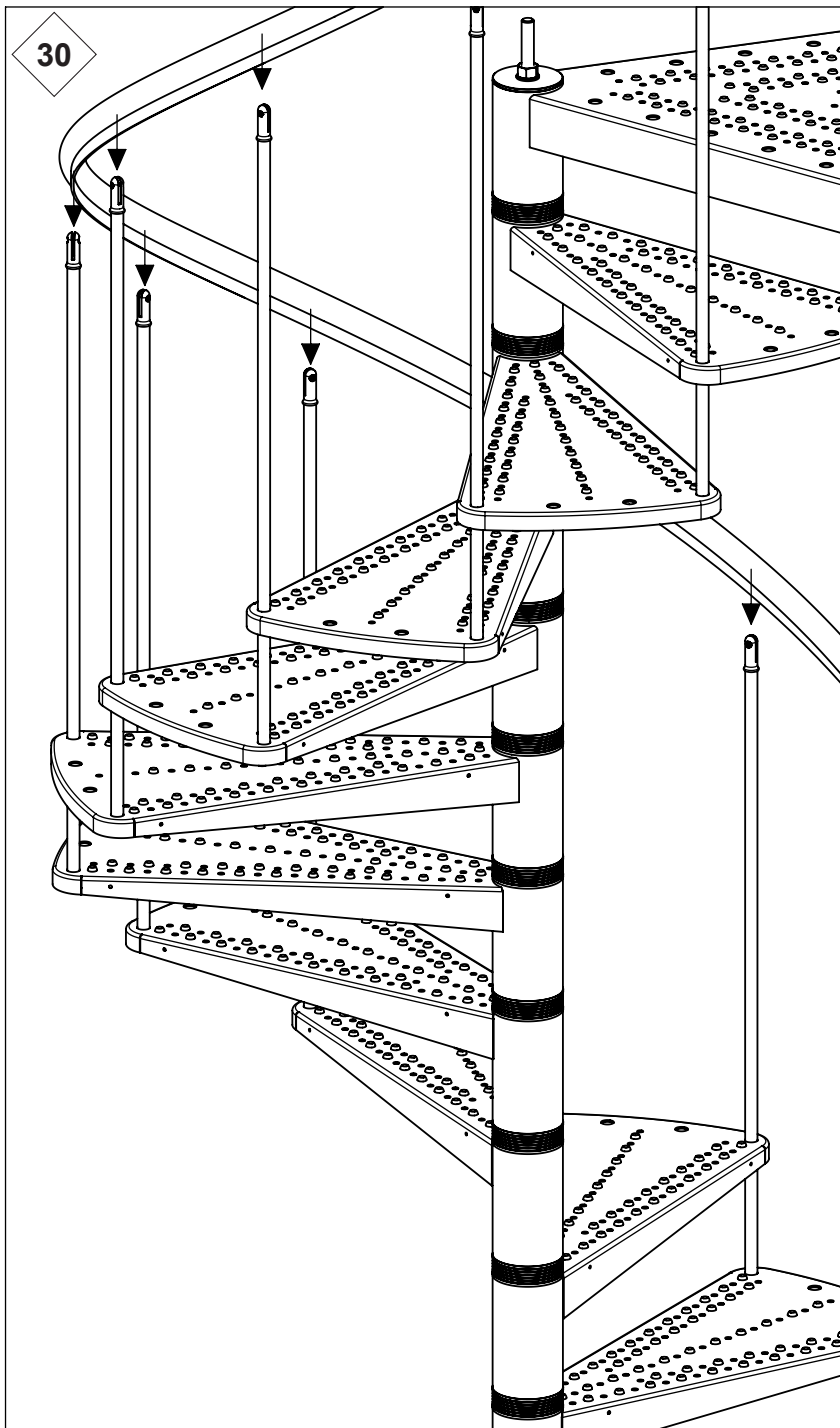
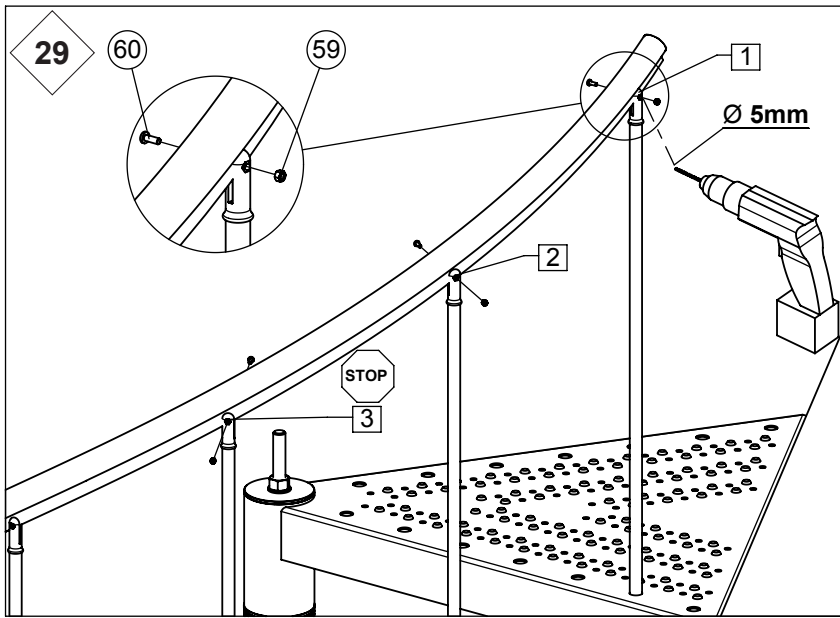












31

